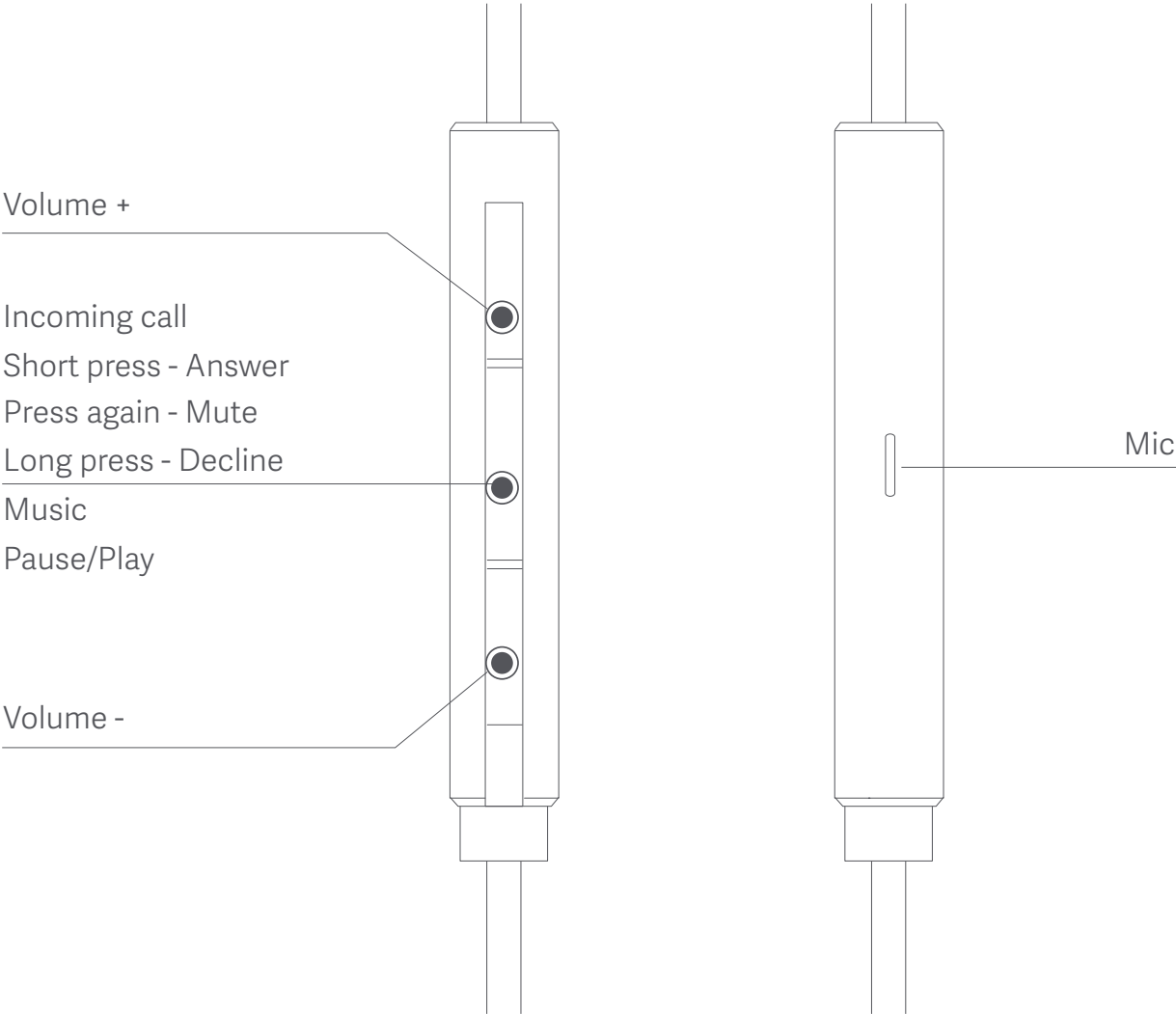




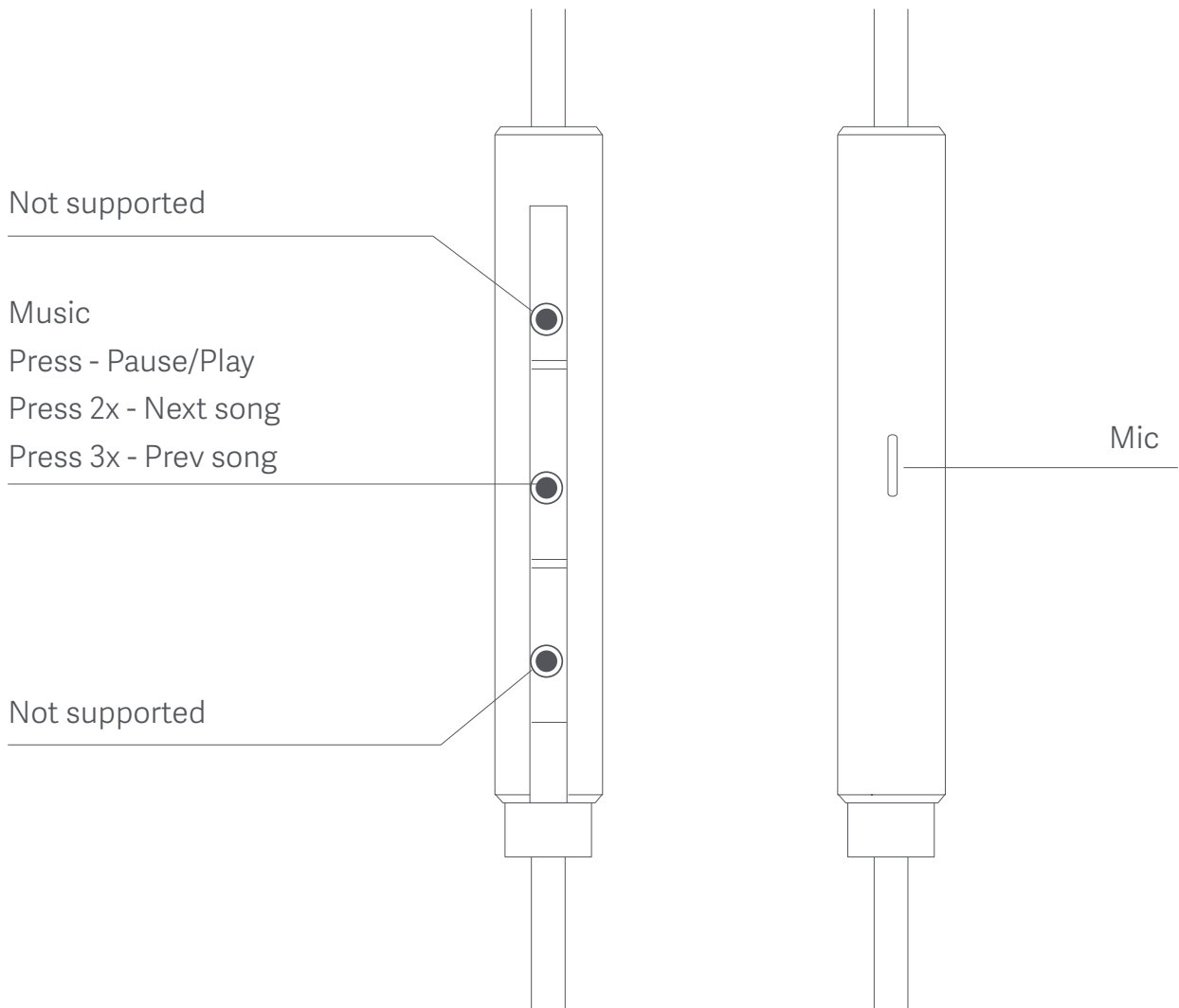
Mi In-Ear Headphones Pro User Guide

Button Functions for Android Devices

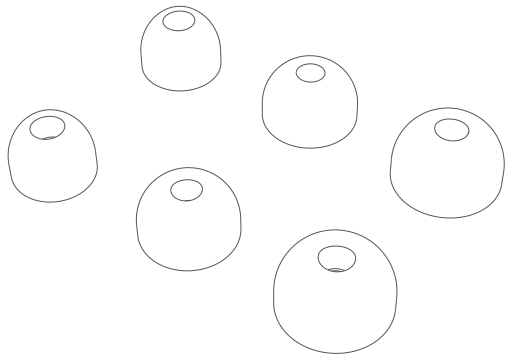


Note: Some devices may not support.

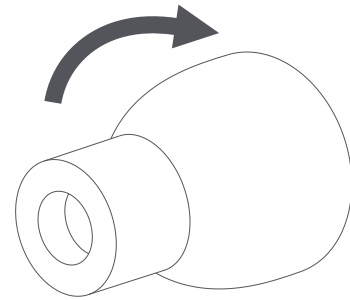
Button Functions for iOS Devices



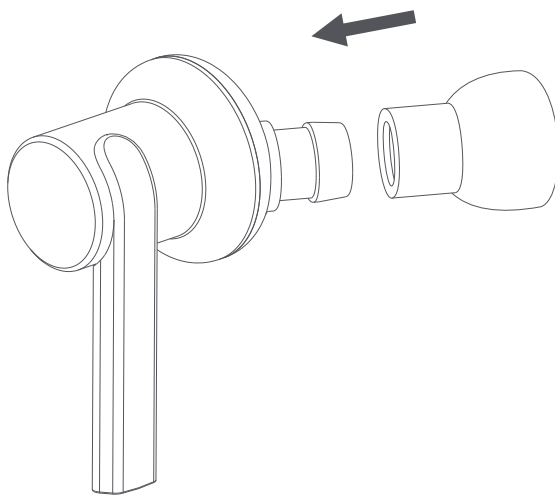
Changing Earbud Tips



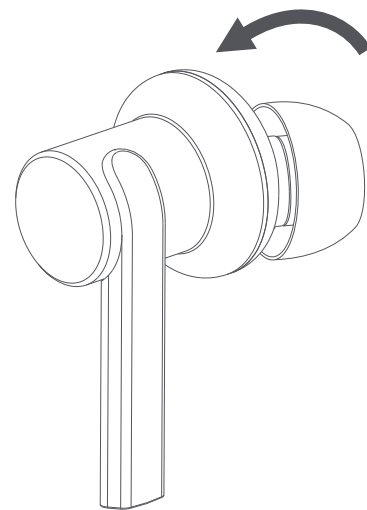
1. Select the best-fitting earbud tip size



2. Flip the earbud tips inside out



3. Secure the earbud tips onto the headphones



4. Flip the earbud tips right-side out

FCC

This device complies with FCC radiation exposure limits set forth for an uncontrolled environment.

This device complies with Part 15 of the FCC Rules. Operation is subject to the following two conditions: (1) this device may not cause harmful interference, and (2) this device must accept any interference received, including interference that may cause undesired operation.

Caution!

Any changes or modifications not expressly approved by the party responsible for compliance could void the user's authority to operate the equipment.

NOTE:

This equipment has been tested and found to comply with the limits for a Class B digital device, pursuant to part 15 of the FCC Rules.

These limits are designed to provide reasonable protection against harmful interference in a residential installation. This equipment generates, uses and can radiate radio frequency energy and, if not installed and used in accordance with the instructions, may cause harmful interference to radio communication. However, there is no guarantee that interference will not occur in a particular installation.

If this equipment does cause harmful interference to radio or television reception, which can be determined by turning the equipment off and on, the user is encouraged to try to correct the interference by one or more of the following measures: --Reorient or relocate the receiving antenna.--Increase the separation between the equipment and receiver is connected.--Connect the equipment into an outlet on a circuit different from that to which the receiver is connected.--Consult the dealer or an experienced radio/TV technician for help

CE

Hereby, Tiinlab, declares that Wired headphone is in compliance with the essential requirement and relevant provisions of Directive 2014/30/EU.

WEEE

Electrical and electronic equipment, parts and batteries marked with this symbol must not be disposed of with normal household wastage, it must be collected and disposed of separately to protect the environment.

Your TiinLab retailer will advise you of the correct way of disposal in your country.

Do not expose batteries or battery packs to excessive heat such as sunshine, fire or the like.

Model No.: QTER01JY

Type: In-ear

Rated Power 5mW

Cable Length: 1.25m/4.1ft

Speaker Impedance: 32 Ω

Jack Type: 3.5mm

Frequency Range:

20-40,000Hz

Principal: Xiaomi Communications Co., Ltd.

Manufacturer: TiinLab Acoustic Technology (Shenzhen) Co., Ltd.

(a Mi Ecosystem Company)

Address: Tianliao Building F14 East Block (New Materials Industrial Park),

Xueyuan Road, Nanshan District, Shenzhen, P.R. China

Go to www.mi.com to learn more.